

Parameter

Electrical Parameters	
Type	HDL-M/DALI.1-B
Working power	21-30V DC
Bus interface	KNX/EIB
Dynamic current	< 12mA
Static current	<5mA
Rated voltage	AC85-135V(60Hz) ---USA AC195-265V(50Hz)
KNX BUS Terminal	(Red/Grey)0.6-0.8mm Diameter Single core cable
Environmental Conditions	
Working temperature	-5°C~45°C
Working relate Humidity	Up to 90%
Storage Temperature	-20°C~+60°C
Storage relative Humidity	< 93%
Approved	
CE, ROHS	
KNX	
Product Information	
Dimensions	H90x W72 x D66 (mm)
Net weight	239.4g
Housing material	Nylon
Installation	35mm Din rail installation
Protection rating	IP20

Installation Steps

- Labeling for AC power wires ,DALI and KNX/EIB wire.
- Mount the device on a DIN rail of DB.
- Connect bus cables and DALI loads.
- Make sure DALI loads is connected correctly.
- Make sure the color of wire complies with the definition of KNX/EIB.
- Tidy the all wires. Make sure all cables are connected correctly.

Overview



HDL-M/DALI.1-B HDL KNX DALI module can connect up to 64 DALI devices for address assignment and management.also can be real-time to detect the device fault, such as DALI fault, Lamp fault, Ballast fault. for each channel and group, support Switch ON/OFF , Relative dimming, Absolute dimming, 1bit and 1byte status response function. Support the KNX standard dimming curve and DALI standard dimming curve.

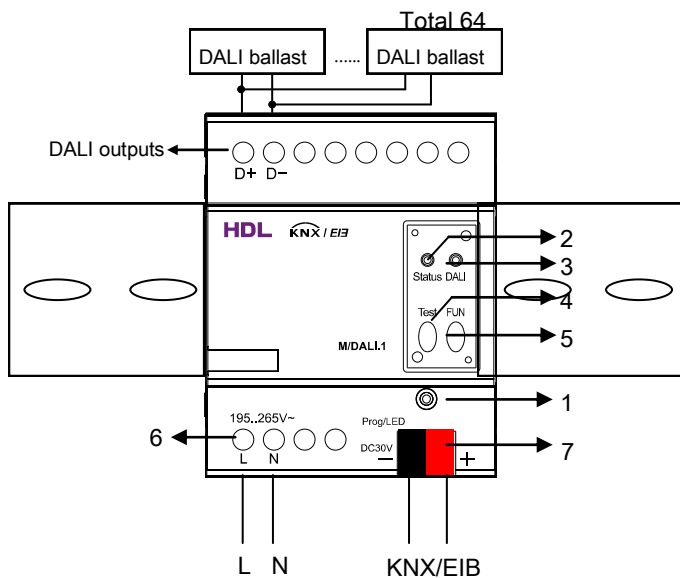
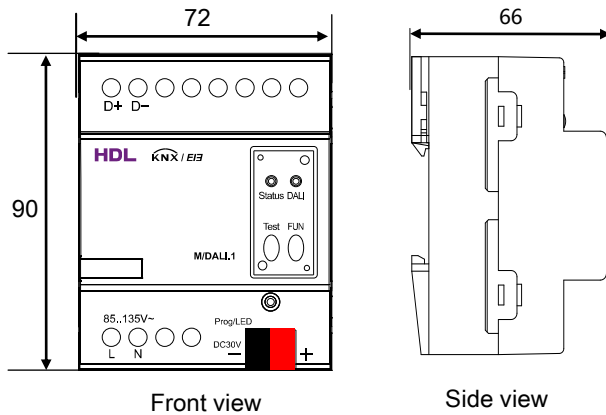
Functions

- Real-time detection of equipment failures, including Dali equipment, ballasts, lamps and other failures
- Target control : Central control, Channel control, Group control, Scene control, Stair-case light control, Sequence control, Emergency light control
- Each channel and group support Switch ON/OFF, Relative dimming, Absolute dimming, Status response function

Important Notes

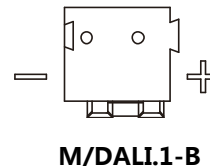
- **Special programming** - This device is designed for professional KNX installation. It can only be programmed by ETS software.
- **Bus cable** - KNX/EIB standard cable, the KNX cable should be connected correctly.
- **Installation** - Mount the device on a DIN rail of DB.
- **Power supply** - must use KNX approved power supply, the voltage between 21-30V.
- **Rated voltage** - the module has 2 kinds of rated voltage, do not make wrong connection of voltage.

Layout and Wirings



Note: the module has 2 kinds of rated voltage, do not make wrong connection of voltage.

1. KNX Programming Button/indicator:
Red LED programming mode.
2. States LED: The LED is off when the module is working properly.
 - Red LED/OFF: display the status of DALI device when press FUN button.
 - Green LED: flickers when press TEST button.
3. DALI LED:
 - Green when the module is working properly,
 - Red flickers when send telegram.
4. TEST button: Test DALI devices are fine or not. test the ballast is fine or broken (ballasts will be on then off one after another orderly)
5. Fun button: Broadcast ON/OFF, control all online ballasts (turn on/off all ballasts alternately)
6. power supply: the module has 2 kinds of rated voltage, do not make wrong connection of voltage.
7. KNX/EIB Bus.



Safety Precautions

- The tightening torque do not exceed 0.4Nm.
- Power cable require : 0.75mm² to 2.5mm² wire.
- DALI Bus cable require: 0.75mm² to 1.5mm².
- Mounting position: DB.
- Do not make wrong connection on KNX/EIB interface, it will damage the Bus interface of this interface module.
- Do not get AC voltage into KNX/EIB wire , it will damage all devices in the system.
- Never let liquids get into the module, it will damage this device.

Package Contents

- Device*1/Datasheet*1