

Parameters

Electrical parameters	
Program name	WS 5L Sensor (V1.0)
Model No.	M/WS05.1-A
Working power	21~30VDC
BUS interface	KNX/EIB
Dynamic current	< 24mA
Static current	< 20mA
Temperature detection range	-30°C~70°C
Illumination detection range	0~15000LUX
Humidity detection range	20~95% RH
Microwave sensing range in diameter	H:10m W:12m L:20m
KNX terminals	(Red /Grey) 0.6 – 0.8mm Diameter Single-Core cable

Environmental Conditions

Working temperature	-20°C~65°C
Working relative humidity	Up to 90%
Storage temperature	-20°C~65°C
Storage relative humidity	Up to 93%

Approved

CE, RoHS

KNX

Product information

Dimensions	126×78×114(mm)
Net weight	360g
Housing Material	ASA, stainless steel
Installation	Screw fixation
IP rating	IP56

Important Notes

- **Special Programming** – This device is designed for professional KNX installation. It can only be programmed by ETS software.
- **Cable Connections** – Do not get wrong connection for Black and Red wires.
- **Voltage** –The input of voltage must be between 21-30VDC.
- **Mounting Location** – Outdoor.

Installation Steps

- KNX/EIB Cable Connection.
- Make sure the connection is right.

Overview

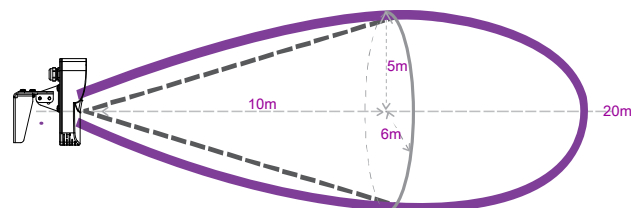


HDL-M/WS05.1-A KNX Outdoor Doppler Sensor includes 4 independent logic blocks and 1 combined logic block, the logic relation can be "AND" "OR", logic input conditions can be the condition of LUX sensor, microwave sensor, humidity sensor, temperature sensor, dry contact, external telegram.

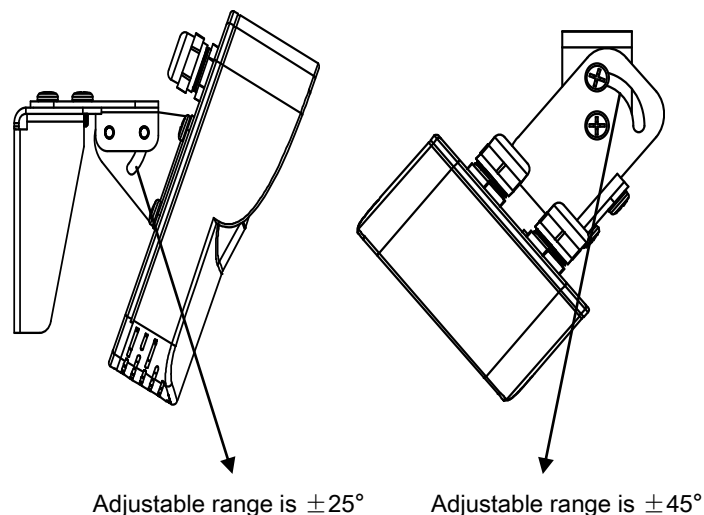
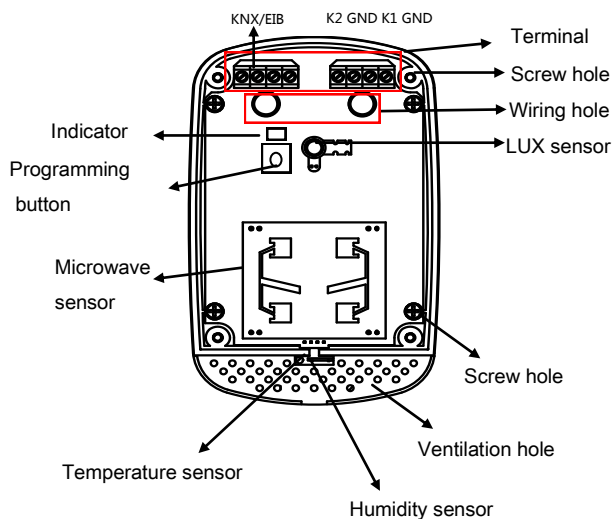
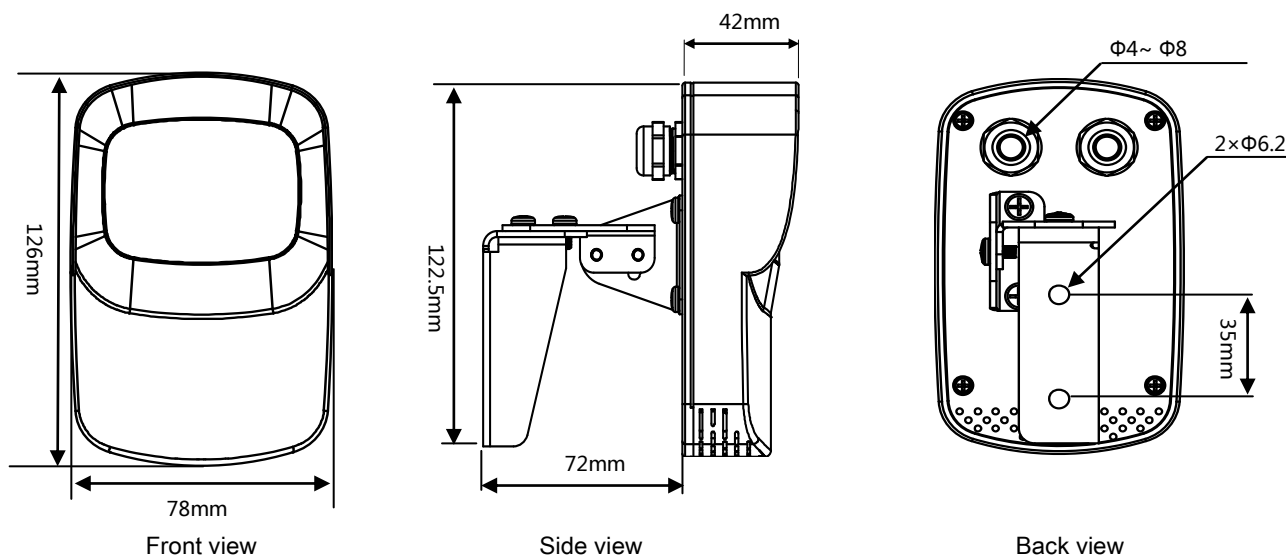
Functions

- Built-in LUX sensor, microwave sensor, humidity sensor, temperature sensor, dry contact, external telegram.
- The multi-function motion sensor have 5 logic function blocks and can be set the logical relation AND/OR, Each with 10 output objects. The work mode include single mode and Master & Slave mode.
- The multi-function motion sensor can report movement status, Lux status to KNX system.
- The multi-function motion sensor supports constant brightness output.
- It can controls for Switch control, Absolute dimming control, Shutter control, Alarm control, Percentage control, Sequence control, Scene control, String(14 bytes) control, Threshold control, Logic combination.
- With function of constant brightness: keep the Lux in the constant value, will dim the lights to the corresponding intensity according to the surrounding brightness.
- The logic validity can be set by external telegram, enable end-user to enable or disable the preset logics.

Microwave sensing range



Layout



Safety Precautions



- Screw down torque is less than 0.4Nm.
- Do not get wrong connection on positive and negative for the bus cable.
- Do not connect the module to AC power.
- Do not let the module come into contact with hazardous liquids or corrosive gases.

Package Contents

- M/WS05.1-A *1
- Datasheet *1

