



Figure 1. iFlex Series 2 Buttons Smart Panel EU 图1. 智焕S/2按键面板 Figure 2. iFlex Series 4 Buttons Smart Panel EU 图2. 智焕S/4按键面板

Customizable Label / 可定制标签

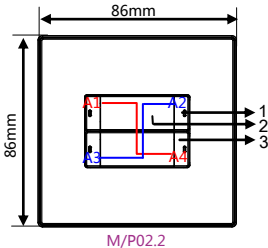


Figure 3. Dimensions - Front View
图3. 尺寸图 - 正面

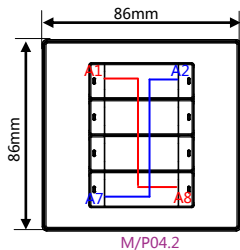


Figure 4. Dimensions - Front View
图4. 尺寸图 - 正面

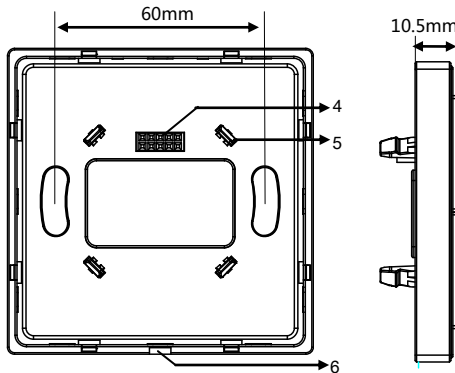


Figure 5. Dimensions - Back View 图5. 尺寸图 - 背面 Figure 6. Dimensions - Side View 图6. 尺寸图 - 侧面

Overview

iFlex Series 2(4) Buttons Smart Panel EU (See Figure 1 - 2) is a multi-function control panel. Mechanical control buttons and multiple button control types are available. Button labels, plate material and color are customizable.

Functions

- Button work modes: Left & right button combined mode or independent button mode;
- LED indicator is available for each button.
- Supports multiple control modes: Switch Control, Dimming, Shutter Control, Flexible Control, Scene Control, Sequence Control, Percentage Control, Threshold Control, Combination Control, String (14bytes) Controller, Button Lock, Button Trigger.
- Push the top left corner and the lower right corner button (Button A1 and A4 for M/P02.2, Button A1 and A8 for M/P04.2) simultaneously for 2 seconds, then the panel will enter programming mode.
- Users can customize button label.
- Selectable plate and frame.

Important Notes

- The panel must be wall box mounted.
- The panel must work in conjunction with the power interface.
- Programming - The device meets KNX guidelines and the parameters are set by the Engineering Tool Software (ETS).

Product Information

Dimensions - See Figure 3 - 6

- 1. Button indicator:** It indicates the status of the controlled target.
 - 2. Button label:** Users can make and replace the button labels.
 - 3. Push Button:** On/ Off, dimming
 - 4. Communication interface:** Connects the panel to the power interface.
 - 5. Fastener:** Connects the panel to the power interface.
 - 6. Split gap:** Insert a slotted screwdriver to the split gap, then separate the panel and power module.
- Programming:** Push the top left corner and the lower right corner button(A1 and A4 for M/P02.2, A1 and A8 for M/P04.2) simultaneously for 2 seconds, then the panel will enter programming mode.
- Button locking and unlocking:** Push the top right corner and the lower left corner button(A2 and A3 for M/P02.2, A2 and A7 for M/P04.2) simultaneously for 2 seconds, then the buttons will be locked or unlocked.

Product installation and disassembly

(Take M/P02.2 as an example)

Installation - See Figure 7 - 9

- Step 1. Fix the power interface into the wall box with screws.
- Step 2. Hold the edge panel, then insert the panel into power interface module vertically.

Disassembly - See Figure 10

- Step 1. Insert the panel gap with a slotted screwdriver.
- Step 2. Pry up the panel gently and hold the edge panel. Then the panel can be taken off.

Safety Precautions

- The installation and commissioning of the device must be carried out by HDL or the organization designated by HDL. For planning and construction of electric installations, the relevant guidelines, regulations and standards of the respective country are to be considered.
- The device should be wall box mounted. HDL does not take responsibility for all the consequences caused by installation and wire connection that are not in accordance with this document.
- Please do not privately disassemble the device or change components, otherwise it may cause mechanical failure, electric shock, fire or body injury.
- Please resort to our customer service department or designated agencies for maintenance service. The warranty is not applicable for the product fault caused by private disassembly.

Package Contents

Panel*1 / Datasheet*1 / Button label *2n (n is button number)

产品概述

智焕S/2(4)按键面板 欧标 (见图1-2) 设有机械按键, 支持多种按键控制类型。按键标签, 面板材料及颜色可定制。

功能说明

- 按键模式: 按键左右组合或独立按键模式
- 每按键均有LED指示灯
- 支持多种按键控制类型: 开关控制、调光控制、窗帘控制、灵活控制、场景控制、序列控制、百分比控制、阈值控制、组合控制、字符串控制(14字节)、按键锁定、按键触发。
- 同时长按左上角按键和右下角按键(M/P02.2: A1和A4; M/P04.2: A1和A8)约2秒, 面板将进入编程模式。
- 用户可自定义按键标签。
- 可选择面板及边框。

注意事项

- 面板必须暗盒安装。
- 必须与面板电源接口模块配合使用
- 编程 - 本设备属于KNX标准设备, 使用ETS软件进行编程。

产品信息

产品尺寸 - 见图 3-6

- 1. 按键指示灯:** 指示被控目标的状态。
 - 2. 按键标签:** 用户可自行制作和更换按键标签。
 - 3. 按键:** 开关, 调光
 - 4. 通信接口:** 连接面板电源模块。
 - 5. 卡扣:** 连接面板电源模块。
 - 6. 拆分缺口:** 使用一字螺丝刀从“拆分缺口”插入, 即可分离面板与电源接口模块。
- 编程:** 同时长按左上角按键和右下角按键(M/P02.2: A1和A4; M/P04.2: A1和A8)约2秒, 面板将进入编程模式。
- 按键锁定和解锁:** 同时长按右上角和左下角按键(M/P02.2: A2和A3; M/P04.2: A2和A7)约2秒, 将会锁定面板按键或解锁面板按键。

设备的安装和拆卸

(以M/P02.2为例)

安装 - 见图 7-9

- 步骤1. 用螺丝将电源接口模块固定在暗盒里。
- 步骤2. 手持面板边缘, 对准卡口, 垂直插入电源接口模块, 不可过分用力按压面板。

拆卸面板 - 见图 10

- 步骤1. 用一字螺丝批插入面板缺口。
- 步骤2. 轻撬面板, 手握面板边缘, 即可取下面板。

安全警告

- 本设备的安装及调试工作必须由我司或我司指派的机构进行。其电气安装的计划和施工, 必须遵守当地相关的安全标准和法规。
- 该产品需暗盒安装, 未按照本说明书进行安装及接线方式的, 所造成的一切后果皆与我司无关。
- 请不要私自拆装或更换零部件, 否则可能会导致机械故障、电击、火灾或身体伤害。
- 请将一切维修工作交由我司售后部门或指定机构进行, 本产品的保修范围不适用于因用户拆卸产品而导致的故障。

装箱清单

面板*1 / 说明书*1 / 按键标示纸*2n (n为按键数)

Technical Data

Electrical Parameters

Working voltage	21~30V DC
Working current	15mA/30V DC
Communication	KNX
KNX terminal	0.6-0.8mm single core cable

External Environment

Working temperature	-5°C~45°C
Working relative humidity	≤90%
Storage temperature	-20°C~60°C
Storage relative humidity	≤93%

Specifications

Dimensions	86×86×10.5(mm)
Net weight	107g
Housing material	Glass, PC, ABS, aluminum
Installation	Wall box (See Figure 7 - 9)
Protection rating (Compliant with EN 60529)	IP20

Name and Content of Hazardous Substances in Products

Components	Hazardous substances					
	Lead (Pb)	Mercury (Hg)	Cadmium (Cd)	Chromium VI (Cr (VI))	Poly-brominated biphenyls (PBB)	Poly-brominated diphenyl ethers (PBDE)
Plastic	o	o	o	o	o	o
Hardware	o	o	o	o	-	-
Screw	o	o	o	x	-	-
Solder	x	o	o	o	-	-
PCB	x	o	o	o	o	o
IC	o	o	o	o	x	x
Glass	o	o	o	o	o	o

The symbol "-" indicates that the hazardous substance is not contained.

The symbol "o" indicates that the content of the hazardous substances in all the homogeneous materials of the component is below the limit requirement specified in the Standard IEC62321-2015.

The symbol "x" indicates that the content of the hazardous substance in at least one of the homogeneous materials of the part exceeds the limit requirement specified in the Standard IEC62321-2015.

KNX Cable Guide

KNX	KNX cable
-	Black
+	Red

技术参数

电气参数

工作电压	21~30V DC
工作电流	15mA/30V DC
通信协议	KNX
KNX总线端子	0.6-0.8mm单芯电缆

外部环境

工作温度	-5°C~45°C
工作相对湿度	≤90%
储存温度	-20°C~60°C
储存相对湿度	≤93%

产品规格

尺寸	86×86×10.5(mm)
净重	107g
外壳材料	玻璃, PC, ABS, 铝
安装方式	暗盒安装 (见图7-9)
防护级别 (符合 EN 60529)	IP20

产品中有害物质的名称及含量

部件名称	有害物质					
	铅 (Pb)	汞 (Hg)	镉 (Cd)	六价铬 (Cr (VI))	多溴联苯 (PBB)	多溴二苯醚 (PBDE)
塑胶组件	o	o	o	o	o	o
五金铜件	o	o	o	o	-	-
螺丝组件	o	o	o	x	-	-
焊锡	x	o	o	o	-	-
PCB组件	x	o	o	o	o	o
IC	o	o	o	o	x	x
玻璃	o	o	o	o	o	o

- : 表示不含有该有害物质。

o : 表示该有害物质在该部件所有均质材料中的含量均在IEC62321-2015规定的限量要求以下。

x : 表示该有害物质至少在该部件的某一均质材料中的含量超出IEC62321-2015规定的限量要求。

KNX总线定义

KNX	KNX 电缆
-	黑
+	红

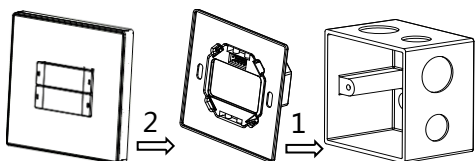


Figure 9 / 图9 Figure 8 / 图8 Figure 7 / 图7

Figure 7 - 9. Installation
图7 - 9. 安装图

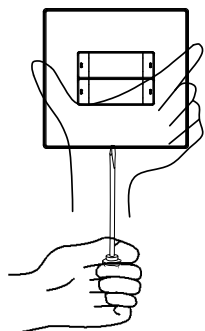


Figure 10. Disassembly
图10. 拆卸图

技术支持

服务热线：020-85820195

(工作时间：9:00-12:00, 13:00-18:00, 星期一至星期五)

邮箱：kfb@hdlchina.com.cn

网址：http://www.hdlchina.com

Technical support

E-mail: support@hdlchina.com.cn

Website: https://www.hdlautomation.com