

M/TBP2.1
 KNX iTouch Series 2 Buttons Touch Panel US
 M/TBP4.1
 KNX iTouch Series 4 Buttons Touch Panel US
 M/TBP6.1
 KNX iTouch Series 6 Buttons Touch Panel US
 Hardware Version: A

KNX®
Datasheet
 Issued: August 24, 2019
 Edition: V1.0.0

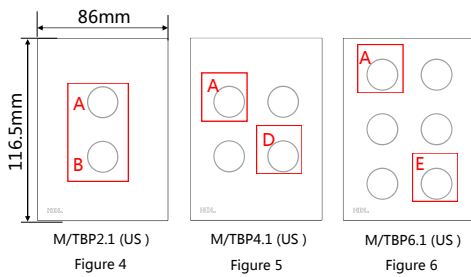
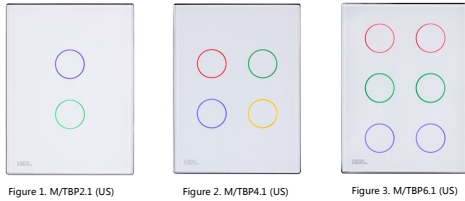


Figure 4 - 6. Dimensions - Front View (Regular version)

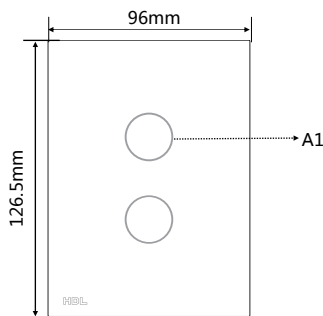


Figure 7. Dimensions - Front View (Larger version)

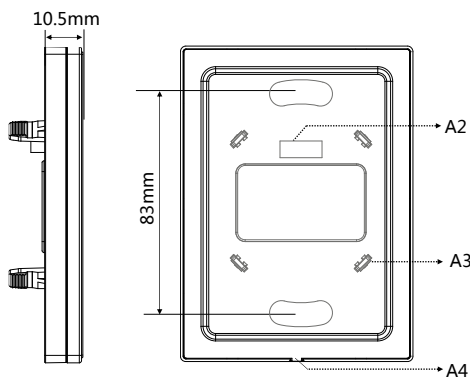


Figure 8. Dimensions - Side View Figure 9. Dimensions - Back View

Overview

KNX iTouch Series (see Figure 1-3) enables control of switching, dimming, scenes, curtains, etc. With built-in RGB backlight, the color of each button can be set. In addition, the color of the glass surface and icons can be customized.

Functions

- Available with 2/4/6 buttons.
- The backlight color of each button can be customized.
- Control types: Switch control, Dimming control, Shutter control, Flexible control, Scene control, Sequence control, Percentage control, Threshold control, String(14bytes) control, Alternate control, Pulse control, RGB control, Fan control, Combination control.
- Supports backlight brightness setting, button lock and button trigger.

Important Notes

- The panel must be wall box mounted.
- The panel should work in conjunction with the power interface (M/PCI.3).
- The device meets KNX guidelines and the parameters are set by the Engineering Tool Software (ETS).

Product Information

Dimensions - See Figure 4 - 9

A1. Control Button: To control targets.

A2. Communication interface: Connects to panel power interface.

A3. Fastener: Connects to panel power interface.

A4: Split gap: Insert a slotted screwdriver to split gap, separate the panel and power module.

Programming – After long pressing two buttons (e.g. Button A & B in Figure 4, Button A & D in Figure 5 or Button A & E in Figure 6) at the same time for 2 seconds, LED indicators flash cyclically and the panel enter programming mode.

Product installation and disassembly

Installation - See Figure 10 - 12

Step 1. Install the wall box in the wall.

Step 2. Fix the power interface onto the wall box with screws.

Step 3. Hold the edge of panel, and insert the panel in the slots of power interface vertically.

Disassembly - See Figure 13

Step 1. Insert a straight screwdriver into the gap between the panel and power interface.

Step 2. Hold the panel, pry up the panel gently and take down the panel.

Safety Precautions

- The installation and commissioning of the device must be carried out by HDL or the organization designated by HDL. For planning and construction of electric installations, the relevant guidelines, regulations and standards of the respective country are to be considered.
- The device should be wall box mounted. HDL takes no responsibility for all consequences caused by installation and wire connection which are not in accordance with this document.
- Please do not privately disassemble the device or change components, otherwise it may cause mechanical failure, electric shock, fire or body injury.
- Please resort to our customer service department or designated agencies for maintenance service. The warranty is not applicable for the product fault caused by private disassembly.

Package Contents

Panel*1 / Datasheet*1

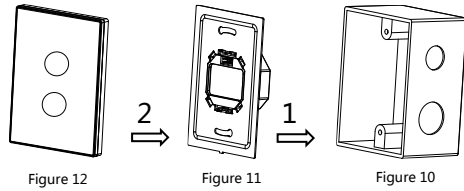


Figure 10 - 12. Installation

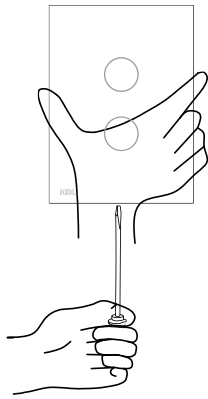


Figure 13. Disassembly

Technical Data

Basic Parameters

Working voltage	21~30V DC
Working current	M/TBP2.1: 13mA / 30V DC M/TBP4.1: 10mA / 30V DC M/TBP6.1: 10mA / 30V DC
Communication	KNX
Cable diameter of KNX terminal	0.6-0.8mm

External Environment

Working temperature	-5°C~45°C
Working relative humidity	≤90%
Storage temperature	-20°C~60°C
Storage relative humidity	≤93%

Specifications

Dimensions	116.5×86×10.5(mm) (Regular) 126.5×96×10.5(mm) (Larger)
Net weight	131g (Regular) 162g (Larger)
Housing material	Glass, PC
Installation	Wall box (See Figure 10 - 12)
Protection rating (Compliant with EN 60529)	IP20

Name and Content of Hazardous Substances in Products

Components	Hazardous substances					
	Lead (Pb)	Mercury (Hg)	Cadmium (Cd)	Chromium VI (Cr (VI))	Poly-brominated biphenyls (PBB)	Poly-brominated diphenyl ethers (PBDE)
Plastic	o	o	o	o	o	o
Hardware	o	o	o	o	-	-
Screw	o	o	o	x	-	-
Solder	x	o	o	o	-	-
PCB	x	o	o	o	o	o
IC	o	o	o	o	x	x
Glass	o	o	o	o	o	o

The symbol “-” indicates that the hazardous substance is not contained.

The symbol “o” indicates that the content of the hazardous substances in all the homogeneous materials of the component is below the limit requirement specified in the Standard IEC62321-2015.

The symbol “x” indicates that the content of the hazardous substance in at least one of the homogeneous materials of the part exceeds the limit requirement specified in the Standard IEC62321-2015.

KNX Cable Guide

KNX	KNX Cable
+	Red
-	Black

Technical support

E-mail: support@hdlautomation.com

Website: <https://www.hdlautomation.com>

©Copyright by HDL Automation Co., Ltd. All rights reserved.
Specifications subject to change without notice.