

HDL-MPTL14.46-B

Modern Series DLP Touch Panel US

## buspro

### Datasheet

Issued: August 19, 2020

File Edition: A

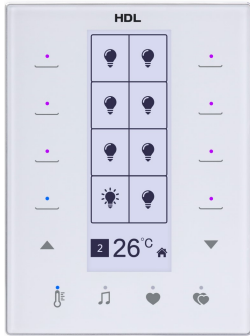


Figure 1. Modern Series DLP Touch Panel US

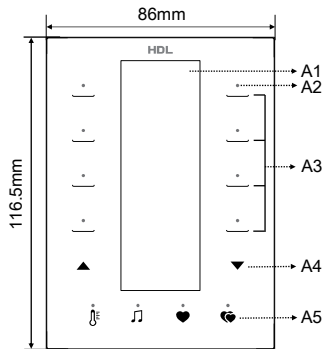


Figure 2. Regular

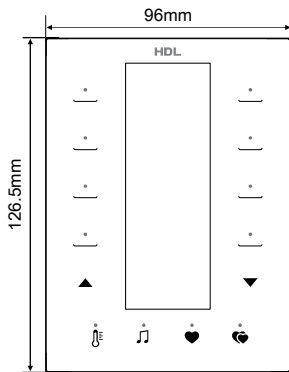


Figure 3. Larger

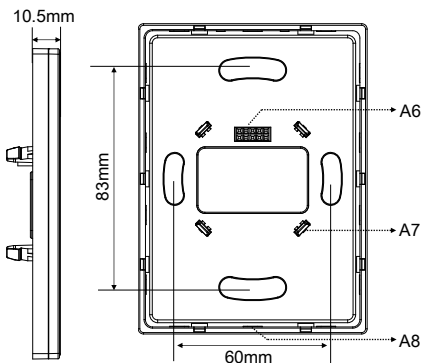


Figure 4

Figure 5

Figure 2 - 5. Dimensions

## Overview

Modern Series DLP Touch Panel US ( See Figure 1 ) is a multi-function control panel for home automation with 8 control buttons, 2 page buttons and 4 shortcut buttons. 4 general pages, the display content of which can be modified via programming software according to users' preference, are for controlling lights and curtains, etc. and dedicated air conditioner page, floor heating page and background music page are available. The shortcut buttons can turn to certain page directly, which is convenient for users.

## Functions

- Built-in temperature sensor and proximity sensor
- Multipage control, dedicated page for floor heating, air conditioning, music control
- Icon for buttons can be defined by user.
- Button combination and double button combination function available, button mutual exclusion available
- RGB button indicator and voice prompt are available.
- Adjustable LCD backlight
- Shortcut buttons are available.
- LCD screen wakes up automatically.
- Various key mode: Invalid, single on-off, single on, single off, combination on-off, combination on, combination off, double click/single on-off, double click/combination on-off, momentary, clock, short/long press, short press/long momentary press.
- Various key control types: Scene, Sequence, Timer switch, Universal switch, Single channel control, Broadcast scene, Broadcast channel, Curtain switch, GPRS control, Panel control, Security module, Music control.
- Panel control functions include: Panel lock, AC switch, AC cooling/ heating selection, Auto temperature setting, fan speed adjustment, AC mode setting, AC temperature adjustment, backlight switch, AC lock, backlight and status indicator luminance setting, floor heating temperature and mode control, etc.
- Update online via HDL Buspro is available.

## Important Notes

- The panel should be installed on wall box.
- The panel should work in conjunction with the power interface.
- Buspro connection - hand-in-hand recommended.

## Product Information

### Dimensions - See Figure 2 - 5

**A1. LCD screen:** 29x84(mm). A part of icons can be customized by user via HDL Buspro Setup Tool.

**A2. Button indicator:** Indicates the status of the controlled target. When it is in on-status, the LED indicator shows the setting color for on-status; When it is in off-status off, the LED indicator shows the setting color for off-status. User can customize the color of status.

**A3. Control button:** To control targets, button sound available.

**A4. Page button:** To switch between different pages. Pages can be displayed or hidden via programming software.

**A5. Shortcut button:** Redirect to a certain page.

**A6. Communication interface:** HDL Buspro connector. It connects to panel power interface.

**A7. Mounting slot:** Connects to panel power interface.

**A8. Split gap:** Insert a slotted screwdriver to the split gap to separate the panel and power module.

**Dimming:** Long press the button for dimming when control types are set to scene, single-channel lighting on-off, and enable dimming.

### Product installation

#### Installation - See Figure 6

Step 1. Install the wall box in the wall.

Step 2. Fix the power interface onto the wall box with screws.

Step 3. Hold the edge of panel, and insert the panel in the slots of power interface vertically.

## Safety Precautions

- The installation and commissioning of the device must be carried out by HDL or the organization designated by HDL. For planning and construction of electric installations, the relevant guidelines, regulations and standards of the respective country are to be considered.
- The device should be installed in wall box. HDL does not take responsibility for all the consequences caused by installation and wire connection that are not in accordance with this document.
- Please do not privately disassemble the device or change components, otherwise it may cause mechanical failure, electric shock, fire or body injury.
- Please resort to our customer service department or designated agencies for maintenance service. The warranty is not applicable for the product fault caused by private disassembly.

## Package Contents

HDL-MPTL14.46-B\*1 / Datasheet\*1

## Technical Data

### Basic Parameters

Working voltage	12~30V DC
Working current	45mA/24V DC
Communication	HDL Buspro
Cable diameter of Buspro terminal	0.6-0.8mm

### External Environment

Working temperature	-5°C~45°C
Working relative humidity	≤90%
Storage temperature	-20°C~60°C
Storage relative humidity	≤93%

### Specifications

LCD resolution	240x80
Dimensions	86×116.5×10.5 (mm) (Regular) 96×126.5×10.5 (mm) (Larger)
Net weight	129g(Regular), 186g(Larger)
Housing material	Glass, Aluminum, PC, ABS
Installation	Wall box (See Figure 6)
Protection rating (Compliant with EN 60529)	IP20

### Name and Content of Hazardous Substances in Products

Components	Hazardous substances					
	Lead (Pb)	Mercury (Hg)	Cadmium (Cd)	Chromium VI (Cr (VI))	Poly-brominated biphenyls (PBB)	Poly-brominated diphenyl ethers (PBDE)
Plastic	o	o	o	o	o	o
Hardware	o	o	o	o	-	-
Screw	o	o	o	x	-	-
Solder	x	o	o	o	-	-
PCB	x	o	o	o	o	o
IC	o	o	o	o	x	x
Glass	o	o	o	o	o	o

The symbol "-" indicates that the hazardous substance is not contained.

The symbol "o" indicates that the content of the hazardous substances in all the homogeneous materials of the component is below the limit requirement specified in the Standard IEC62321-2015.

The symbol "x" indicates that the content of the hazardous substance in at least one of the homogeneous materials of the part exceeds the limit requirement specified in the Standard IEC62321-2015.

## HDL Buspro Cable Guide

HDL Buspro	HDL Buspro Cable
24V DC	Red
COM	Black
DATA-	White
DATA+	Yellow

#### Technical support

E-mail: [hdtickets@hdlautomation.com](mailto:hdtickets@hdlautomation.com)

Website: <https://www.hdlautomation.com>

©Copyright by HDL Automation Co., Ltd. All rights reserved.  
Specifications subject to change without notice.

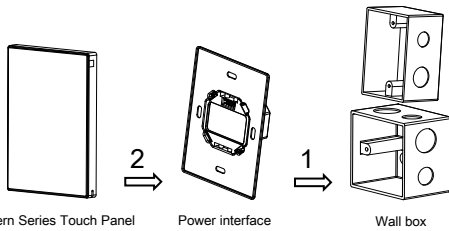


Figure 6. Installation