

HDL-MPTFL11.46

Prism Pro /Multi-function Touch Panel

buspro

Datasheet

Issued: June 11, 2019
Edition V1.0.0

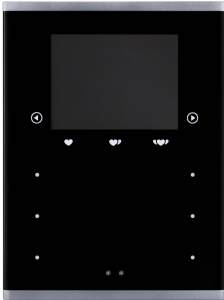


Figure 1. Prism Pro /Multi-function Touch Panel

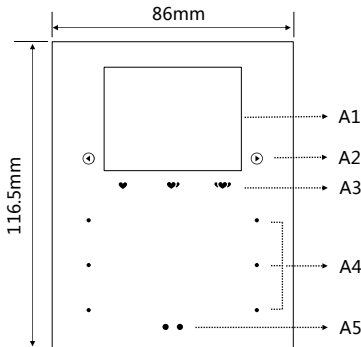


Figure 2. Dimensions - Front View

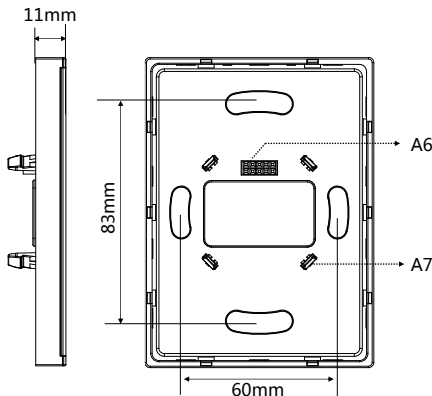


Figure 3. Dimensions - Side View Figure 4. Dimensions - Back View

Overview

Prism Pro (See Figure 1) is a high-end and multi-function control panel for home automation. It realizes the control of lighting, curtain, scene, music, air conditioning, floor heating, etc. in an intuitive and convenient way. Approaching the sensor can wake up the screen when you need it.

Functions

- Built-in temperature sensor and proximity sensor
- Adjustable LCD backlight
- LCD screen wakes up automatically.
- Key RGB indicator and sound indication are available.
- Page shortcut keys are available.
- Standby mode: It can automatically switch to the setting interface and enter the standby mode according to the set time.
- Energy saving mode: As the set time passed, the screen dims and enters the energy saving mode.
- A variety of music source options are available: SD, Audio-IN, BT, S/PDIF, RADIO
 - SD card playlist options: LIST1...LIST10
- Security settings: Various security modes can be set, for example, Vacation, Away, Day, Night, Meeting guests.
- Standby display interface: The date, time and current temperature can be displayed.
- Various key modes: Invalid, Single on/off, single on, single off, combination on/off, combination on, combination off, double click/single on/off, double click/combination on/off, momentary, alarm clock, short/long press, short press/long momentary press
- Supports double - button combination and button mutual exclusion
- Various key control modes: Scene, sequence, time switch, universal switch, single channel adjustment, broadcast scene, broadcast channel, curtain control, GPRS control, panel control, alarm control, music play, general control
- Panel control functions include: Panel lock, turn on/off AC, cooling & heating for AC, Auto temperature setting, fan speed adjustment, AC mode setting, AC temperature adjustment, backlight switch, AC lock, backlight and status indicator luminance setting, floor heating temperature and mode control etc.
- Supports simple programming mode
- Upgrading online via HDL Buspro is available.

Important Notes

- The panel must be installed in wall box.
- It must work in conjunction with HDL-MPLPI.46-A.
- It is recommended to adopt Buspro connection - Series connection (hand-in-hand).

Product Information

Dimensions - See Figure 2 - 4

- A1. LCD screen:** It is a 2.4 inch IPS color LCD screen. The icon can be customized by user via management software.
- A2. Page button:** It is for user to select different pages. 9 pages are available. The user can choose to display some of them or all of them.
- A3. Shortcut key:** It can be set for user to go directly to a particular page without using the page button.
- A4. Control button & indicator:**
 - Control button:** It is used to control target. It also can be set whether it is with a touch tone.
 - Indicator:** It indicates status of the controlled target. When it is in on-status, the LED indicator shows the setting color for on-status; When it is in off-status, the LED indicator shows the setting color for off-status. User can define the color of status.
- A5. Proximity sensing:** Also known as wake-up function, when the body approaches the sensor, the LCD screen will be waken up.
- A6. Communication interface:** HDL Buspro. It connects to panel power interface.
- A7. Fastener:** It connects to panel power interface.

Product installation and disassembly

Installation - See Figure 5 - 7

- Step 1. Fix the power interface into the wall box (Standard wall box for US or EU panel) with screws.
- Step 2. Hold the edge of the panel, then insert the panel into the power interface module vertically.

Disassembly - See Figure 8

- Step 1. Insert the panel gap with a slotted screwdriver.
- Step 2. Pry up the panel gently and hold the edge panel. Then the panel can be taken off.

Safety Precautions

- The installation and commissioning of the device must be carried out by HDL or the organization designated by HDL. For planning and construction of electric installations, the relevant guidelines, regulations and standards of the respective country are to be considered.
- The device should be installed in wall box. HDL does not take responsibility for all the consequences caused by installation and wire connection that are not in accordance with this document.
- Please do not privately disassemble the device or change components, otherwise it may cause mechanical failure, electric shock, fire or body injury.
- Please resort to our customer service department or designated agencies for maintenance service. The warranty is not applicable for the product fault caused by private disassembly.

Package Contents

HDL-MPTFL11.46 *1 / Datasheet*1

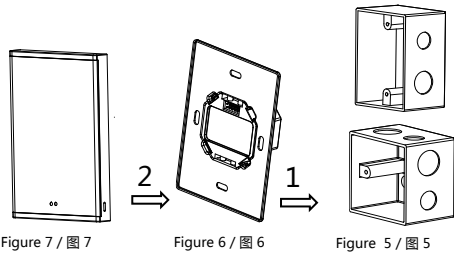


Figure 7 / 图 7 Figure 6 / 图 6 Figure 5 / 图 5

Figure 5 - 7. Installation
图 5 - 7. 安装图

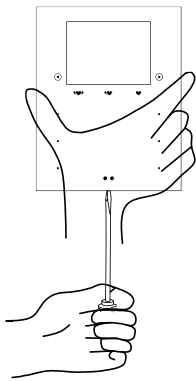


Figure 8. Disassembly
图 8. 拆卸图

Technical Data

Basic Parameters

Working voltage	12~30V DC
Working current	70mA/24V DC
Communication	HDL Buspro
Cable diameter of Buspro terminal	0.6-0.8mm

External Environment

Working temperature	-5°C~45°C
Working relative humidity	≤90%
Storage temperature	-20°C~60°C
Storage relative humidity	≤93%

Specifications

LCD resolution	320x240
Dimensions	86×116.5×11 (mm)
Net weight	149g
Housing material	Glass, Aluminum alloy, PC
Installation	Wall box (See Figure 5 - 7)
Protection rating (Compliant with EN 60529)	IP20

Name and Content of Hazardous Substances in Products

Components	Hazardous substances					
	Lead (Pb)	Mercury (Hg)	Cadmium (Cd)	Chromium VI (Cr (VI))	Poly-brominated biphenyls (PBB)	Poly-brominated diphenyl ethers (PBDE)
Plastic	o	o	o	o	o	o
Hardware	o	o	o	o	-	-
Screw	o	o	o	x	-	-
Solder	x	o	o	o	-	-
PCB	x	o	o	o	o	o
IC	o	o	o	o	x	x
Glass	o	o	o	o	o	o

The symbol "-" indicates that the hazardous substance is not contained.

The symbol "o" indicates that the content of the hazardous substances in all the homogeneous materials of the component is below the limit requirement specified in the Standard IEC62321-2015.

The symbol "x" indicates that the content of the hazardous substance in at least one of the homogeneous materials of the part exceeds the limit requirement specified in the Standard IEC62321-2015.

HDL Buspro Cable Guide

HDL Buspro	HDL Buspro Cable
24V DC	Red
COM	Black
DATA-	White
DATA+	Yellow

Technical support

E-mail: support@hdlautomation.com

Website: <https://www.hdlautomation.com>

©Copyright by HDL Automation Co., Ltd. All rights reserved.
Specifications subject to change without notice.