

Datasheet

Issued: June 9, 2019

Edition V1.0.0



Figure 1. S10/10 Inch Touch Screen

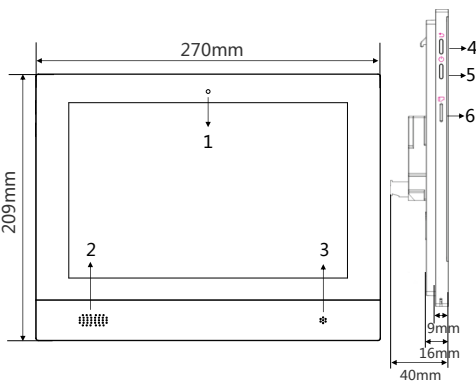


Figure 2

Figure 3

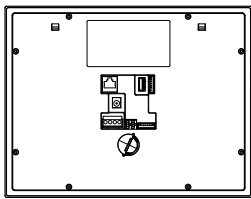


Figure 4-1

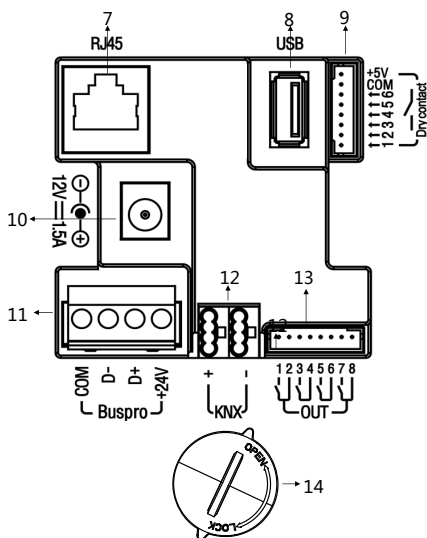


Figure 4-2

Figure 2 - 4-2. Dimensions

Overview

S10 (See Figure 1) is a touch screen which is specially designed for home and building automation. It adopts a 64 bit 4 core high-performance CPU and equipped with a 800x1280 high-definition IPS display and multi-point capacitive touch screen. This touch screen also has a variety of physical interface extensions to connect to other systems, such as, dry contact inputs to connect to various types of security sensors, dry contact outputs to drive magnetic valve or curtain, KNX interface to connect to KNX home and building automation control system, Buspro interface to connect to HDL Buspro system to control villa automation applications, temperature sensor to monitor room temperature etc. The touch screen is with built-in hardware echo cancellation circuit, which can eliminate the echo occurs during two-way audio call process. The high-sensitivity MIC and the low-distortion speakers are very good at restoring real sound and very suitable for visual intercom applications. The built-in sensor detects the movement of the body in real time. When human body is close to the touch screen, the app can automatically wake up the screen backlight and provide a very convenient control mode.

Functions

- 4 channels relay output
- Supports 6 channels dry contact input
- Built-in echo cancellation
- Built-in motion sensor and temperature sensor
- Supports connecting LAN and internet via wired Ethernet port (RJ45)
- Supports connecting USB flash drive and USB mouse
- Built-in RTC
- Supports TF card installation for storage capacity expansion
- Supports most of the Android applications
- Supports HDL Buspro communication (needs to install corresponding Apps.)
- Supports KNX communication (needs to install corresponding Apps.)

Important Notes

- The touch screen must be installed in a special-designed metal wall box.
- The relay output channels can be used for signal switch or magnetic valve control. But they cannot control high power load. The rated voltage and current is DC30V, 1A Max.

Product Information

Product dimensions - See Figure 2, 3, 4-1 and 4-2

1. Camera
2. Speaker
3. Microphone
4. Return button
5. Power on/off
6. TF card slot
7. RJ45 port
8. USB2.0 interface
9. 6 channels dry contact input port
10. Power socket
11. HDL Buspro interface
12. KNX interface
13. 4 channels relay output port
14. Clock battery cover

Note: Only one interface should be chosen from 10 and 11 for power supply. If both 10 and 11 are used for power supply, the voltage must not exceed 25V.

Device installation and RTC battery replacement

Device installation (See Figure 5-8): Install the special metal wall box in wall and ensure the wall box is 0.5mm higher than wall surface. Connect power socket and communication interfaces of the touch screen. Hold both edges of the 10 inch touch screen, align and buckle fasteners A1 into the fastener holes, then push the touch screen down to fasten the fastener holes of the wall box. The magnet is attached to the lower bottom of the touch screen, then the touch screen will be attached and fixed into the wall box.

RTC battery replacement: Rotate the battery cover counterclockwise, then open the cover, remove the invalid battery and install the new battery. Lastly, reinstall the cover, rotate the cover clockwise and lock it.

Safety Precautions

- The installation and commissioning of the device must be carried out by HDL or the organization designated by HDL. For planning and construction of electric installations, the relevant guidelines, regulations and standards of the respective country are to be considered.
- The device should be installed in a special-designed metal wall box. HDL does not take responsibility for all the consequences caused by installation and wire connection that are not in accordance with this specification.
- Please do not privately disassemble the device or change components, otherwise it may cause mechanical failure, electric shock, fire or body injury.
- Please resort to our customer service department or designated agencies for maintenance service. The warranty is not applicable for the product fault caused by private disassembly.

Package Contents

HDL-MTS10B.2WI (With metal wall box) *1 / CR2032 battery*1 / 8-bit wiring*2/ Datasheet*1

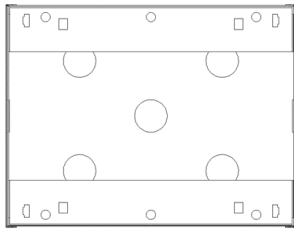


Figure 5

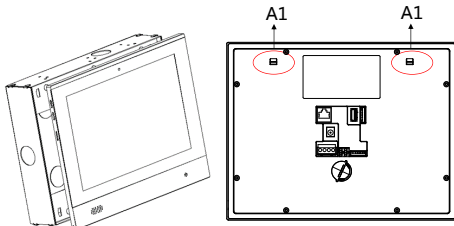


Figure 6

Figure 7

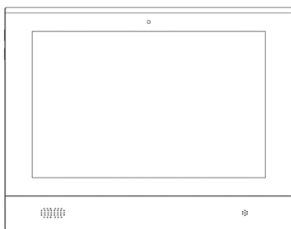


Figure 8

Figure 5 - 8. Installation

Technical Data

Basic Parameters

Working voltage	9~25V DC
Power	Max. 12W
Relay output	4CH, 1A 30V DC Max. per channel
CPU	Allwinner A64 , 64bit 4 core
DDR	1GB DDR3
Flash	8GB EMMC Flash
Communication protocol	HDL Buspro/KNX
Touch screen	Capacitive screen
Screen dimensions	10.1 inch
Screen resolution	800*1280
Screen ratio	16:10
Operation system	Android 5.1
Ethernet port	RJ45 10/100 M
TF card	Max. 128GB
Camera	2.0 megapixel, 1616x1232

External Environment

Working temperature	-5°C~45°C
Working relative humidity	≤90%
Storage temperature	-20°C~60°C
Storage relative humidity	≤93%

Specifications

Dimensions	Touch screen: 270×209×40(mm) Metal wall box: 263×203×51(mm)
Net weight	Touch screen: 920g, Metal wall box:1110g
Shipping weight	10 inch touch screen: 1000g Metal wall box:1250g
Housing material	Glass, PC, ABS, Aluminum alloy
Installation	Wall box (See Figure 5-8)
Battery	CR2032(3VDC, non-rechargeable)
Protection rating (Compliant with EN 60529)	IP20

Name and Content of Hazardous Substances in Products

Components	Hazardous substances					
	Lead (Pb)	Mercury (Hg)	Cadmium (Cd)	Chromium VI (Cr (VI))	Poly-brominated biphenyls (PBB)	Poly-brominated diphenyl ethers (PBDE)
Plastic	o	o	o	o	o	o
Hardware	o	o	o	o	-	-
Screw	o	o	o	x	-	-
Solder	x	o	o	o	-	-
PCB	x	o	o	o	o	o
IC	o	o	o	o	x	x
Glass	o	o	o	o	o	o

The symbol “-” indicates that the hazardous substance is not contained.

The symbol “o” indicates that the content of the hazardous substances in all the homogeneous materials of the component is below the limit requirement specified in the Standard IEC62321-2015.

The symbol “x” indicates that the content of the hazardous substance in at least one of the homogeneous materials of the part exceeds the limit requirement specified in the Standard IEC62321-2015.

HDL Buspro Cable Guide

HDL Buspro	HDL Buspro Cable
DATA+	Yellow
DATA-	White
COM	Black
24V DC	Red

KNX Cable Guide

KNX	KNX Cable
-	Black
+	Red

Technical support

E-mail: support@hdlautomation.com

Website: <https://www.hdlautomation.com>

©Copyright by HDL Automation Co., Ltd. All rights reserved.
Specifications subject to change without notice.