



Figure 1. Ceiling Mount Temp. Humidity & LUX Sensor
图 1. 温度、亮度、湿度传感器

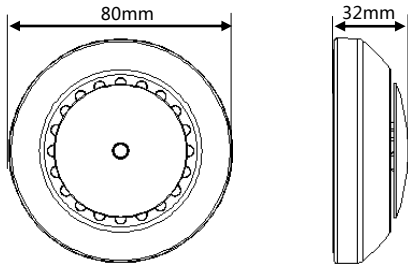


Figure 2. Dimensions - Front View Figure 3. Dimensions - Side View
图 2. 尺寸图 - 正面 图 3. 尺寸图 - 侧面

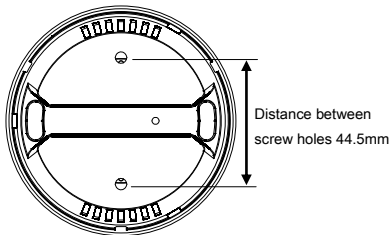


Figure 4. Dimensions - Back View
图 4. 尺寸图 - 背面

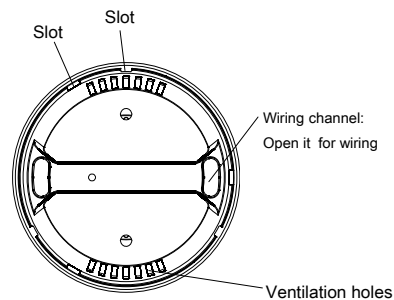


Figure 5. Components - Back View
图 5. 部件 - 后视图

HDL Buspro, from left to right GND,485-,485+,24V DC

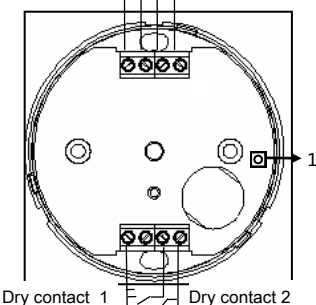


Figure 6. 接线图
图 6. 接线图

Overview

Ceiling Mount Temp. Humidity & LUX Sensor (See Figure 1) is a sensor with built-in temperature sensor, LUX sensor, humidity sensor, dry contact input and external universal switch. The logic in the sensor can manage all different conditions of sensors to control different targets and achieve different functions. The sensor supports HDL security function and security command.

Functions

- Built-in LUX sensor, temperature sensor, humidity sensor, 2 channels dry contact input, 2 universal switches, logic
- 2 logical relations: OR, AND
- 24 logic module functions, targets can be controlled regardless of the logic is true or false
- The range of universal switch number in logic function is 201-248, each logic has 2 universal switch numbers.
- Multiple control targets: Scene Switch, Sequence Switch, Universal Switch, Single Channel Lighting Control, Broadcast Scene Or Channel, Curtain Switch, GPRS, Panel Control, Security Module, Music Play, etc.
- Supports upgrade from HDL Buspro.

Important Notes

- Installation position - Indoor, away from AC outlet and heat source
- Operation temperature: 0 - 36 °C
- Buspro cable - CAT5E or HDL Buspro/KNX cable.
- Buspro connection - Series connection (hand-in-hand recommended).
- Installation - Ceiling mount.

Product Information

Dimensions - See Figure 2 - 4

Components - See Figure 5

1. **Module indicator:** Keep pressing the button for 3 seconds, the indicator will turn green, then the address of the module can be read and modified in the HDL Buspro software according to following steps: Address Management → Address modification.

Wiring - See Figure 6

Installation - See Figure 7 - 9

- Step 1. Fix the Ceiling Mount Lux & Air Quality Sensor in the wall box with screws.
- Step 2. Put the cover on the sensor.

Safety Precautions

- The installation and commissioning of the device must be carried out by HDL or the organization designated by HDL. For planning and construction of electric installations, the relevant guidelines, regulations and standards of the respective country are to be considered.
- HDL takes no responsibility for all consequences caused by installation and wire connection which are not in accordance with this document.
- Please do not privately disassemble the device or change components, otherwise it may cause mechanical failure, electric shock, fire or body injury.
- Please resort to our customer service department or designated agencies for maintenance service. The warranty is not applicable for the product fault caused by private disassembly.

Package Contents

HDL-MASTH.2C*1 / Screw*2 / Datasheet*1

产品概述

温度、亮度、湿度传感器（见图1）的内部逻辑将温度、湿度传感器、照度传感器、干接点、外部通用开关等条件根据需求组成不同的逻辑功能，满足客户复杂的控制需求。支持HDL安防模式及安防指令。

功能说明

- 内设亮度传感器、温度传感器、湿度传感器、2路干接点输入、2个通用开关，逻辑
- 具有2个逻辑关系：OR、AND
- 具有24个逻辑模块功能，逻辑成立与否均可触发控制目标
- 逻辑条件中通用开关号分配为201-248，每个逻辑2个开关号
- 多种目标类型：场景开关，序列开关，通用开关，单路调节，广播场景或回路，窗帘开关，GPRS功能，面板控制，消防模块，音乐播放
- 支持HDL Buspro在线升级

注意事项

- 安装位置 - 室内，远离空调出风口，远离热源
- 环境温度 - 请保持温度于0-36摄氏度范围内
- 总线 - CAT5E 或者HDL Buspro/KNX 专用电缆
- 总线连接 - 推荐使用手拉手的连接方式
- 安装 - 吸顶式安装

产品信息

产品尺寸 - 见图 2 - 4

部件 - 见图 5

1. 长按该键约3s绿色指示灯亮，此时在HDL Buspro系统软件中可修改地址。地址管理→修改地址，读取起始地址和修改起始地址。

接线图 - 见图 6

安装 - 见图7-9

- 步骤1. 用螺丝将亮度、空气质量传感器组合固定在暗盒里。
- 步骤2. 盖上传感器的面盖。

安全警告

- 本设备的安装及调试工作必须由我司或我司指派的机构进行。其电气安装的计划 and 施工，必须遵守当地相关的安全标准和法规。
- 未按照本说明书进行安装及接线方式的，所造成的一切后果皆与我司无关。
- 请不要私自拆装或更换零部件，否则可能会导致机械故障、电击、火灾或身体伤害。
- 请将一切维修工作交由我司售后部门或指定机构进行，本产品的保修范围不适用于因用户拆卸产品而导致的故障。

装箱清单

HDL-MASTH.2C*1 / 螺丝*2 / 说明书*1

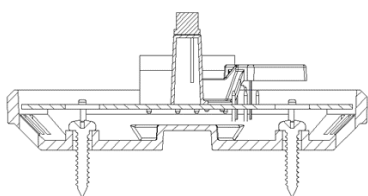


Figure 7 / 图7

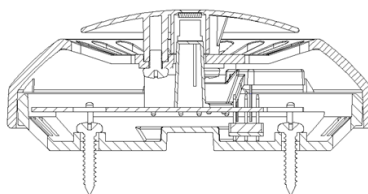


Figure 8 / 图8

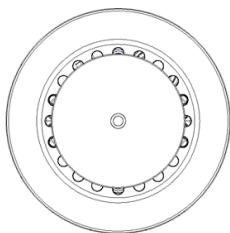


Figure 9 / 图9

Figure 7 - 9. Installation
图7 - 9. 安装图

Technical Data

Electrical Parameters

Working voltage	12~30V DC
Working current	25mA/24V DC
Range of temperature sensor	-20°C~+60°C
Range of LUX sensor	0~5000Lux
Range of humidity sensor	20%~95%

External Environment

Working temperature	-5°C~45°C
Working relative humidity	≤90%
Storage temperature	-20°C~60°C
Storage relative humidity	≤93%

Specifications

Dimensions	80(Diameter)×32(mm)
Net weight	92.5g
Housing material	ABS
Installation	Ceiling mount (See Figure 7- 9)
Protection rating (Compliant with EN 60529)	IP20

Name and Content of Hazardous Substances in Products

Components	Hazardous substances					
	Lead (Pb)	Mercury (Hg)	Cadmium (Cd)	Chromium VI (Cr (VI))	Poly-brominated biphenyls (PBB)	Poly-brominated diphenyl ethers (PBDE)
Plastic	o	o	o	o	o	o
Hardware	o	o	o	o	-	-
Screw	o	o	o	x	-	-
Solder	x	o	o	o	-	-
PCB	x	o	o	o	o	o
IC	o	o	o	o	x	x

The symbol "-" indicates that the hazardous substance is not contained.

The symbol "o" indicates that the content of the hazardous substances in all the homogeneous materials of the component is below the limit requirement specified in the Standard IEC62321-2015.

The symbol "x" indicates that the content of the hazardous substance in at least one of the homogeneous materials of the part exceeds the limit requirement specified in the Standard IEC62321-2015.

HDL Buspro Cable Guide

HDL Buspro	HDL Buspro/KNX	CAT5/CAT5E
DATA+	Yellow	Blue/Green
DATA-	White	Blue White/Green White
GND	Black	Brown White/Orange White
24V DC	Red	Brown/Orange

技术参数

电气参数

工作电压	12~30V DC
工作电流	25mA/24V DC
温度测量范围	-20°C~+60°C
照度测量范围	0~5000Lux
湿度测量范围	20%~95%

外部环境

工作温度	-5°C~45°C
工作相对湿度	≤90%
储存温度	-20°C~60°C
储存相对湿度	≤93%

产品规格

尺寸	80mm(直径)×32mm
净重	92.5g
外壳材料	ABS
安装方式	吸顶安装 (见图7-9)
防护级别 (符合 EN 60529)	IP20

产品中有害物质的名称及含量

部件名称	有害物质					
	铅 (Pb)	汞 (Hg)	镉 (Cd)	六价铬 (Cr (VI))	多溴联苯 (PBB)	多溴二苯醚 (PBDE)
塑胶组件	o	o	o	o	o	o
五金铜件	o	o	o	o	-	-
螺丝组件	o	o	o	x	-	-
焊锡	x	o	o	o	-	-
PCB组件	x	o	o	o	o	o
IC	o	o	o	o	x	x

- : 表示不含有该有害物质。

o : 表示该有害物质在该部件所有均质材料中的含量均在IEC62321-2015规定的限量要求以下。

x : 表示该有害物质至少在该部件的某一均质材料中的含量超出IEC62321-2015规定的限量要求。

总线定义

HDL Buspro	HDL Buspro/KNX	CAT5/CAT5E
DATA+	黄	蓝/绿
DATA-	白	蓝白/绿白
GND	黑	棕白/橙白
24V DC	红	棕/橙

技术支持

服务热线：020-85820195

(工作时间：9:00-12:00, 13:00-18:00, 星期一至星期五)

邮箱：kfb@hdlchina.com.cn

网址：http://www.hdlchina.com

Technical support

E-mail: support@hdlchina.com.cn

Website: https://www.hdlautomation.com